

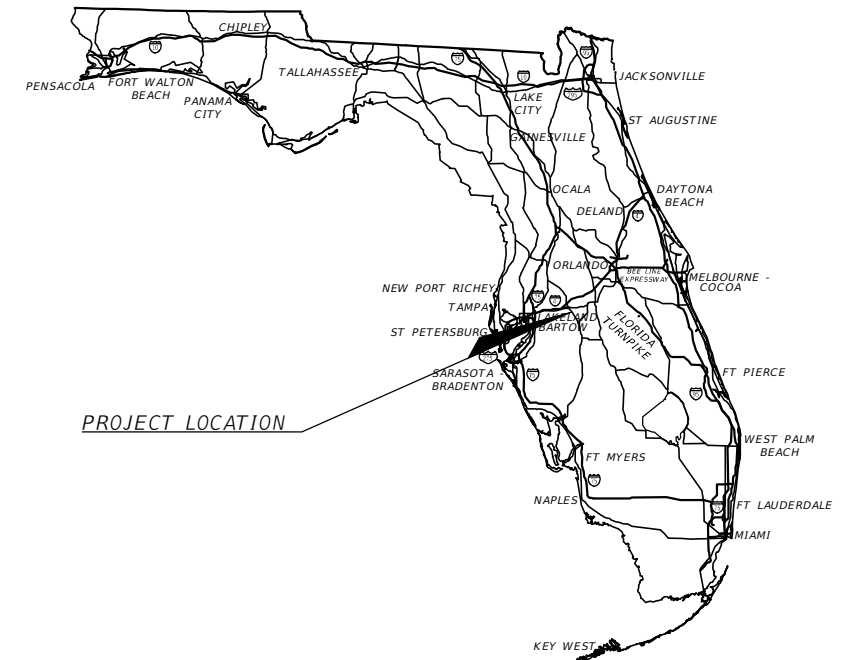
*CITY OF LAKELAND
PUBLIC WORKS*

CONCEPT PLANS

FINANCIAL PROJECT ID 444627-2

POLK COUNTY

STATE ROAD NO. 37

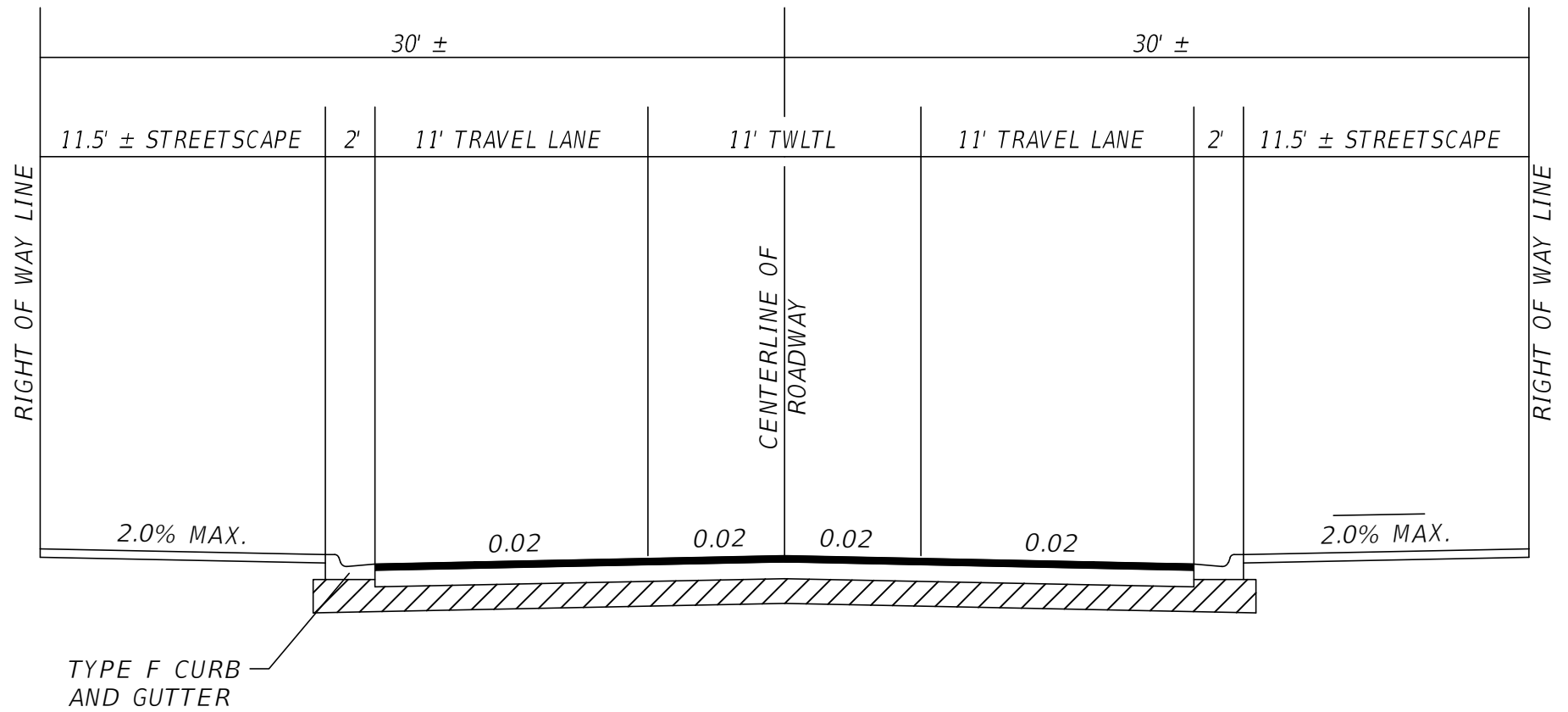


INDEX OF CONCEPT PLANS

<i>SHEET NO.</i>	<i>SHEET DESCRIPTION</i>
1	KEY SHEET
2	TYPICAL SECTION
3 - 14	CONCEPT PLANS
15	STREETSCAPE DETAILS



<i>CONSTRUCTION CONTRACT NO.</i>	<i>FISCAL YEAR</i>	<i>SHEET NO.</i>
		1



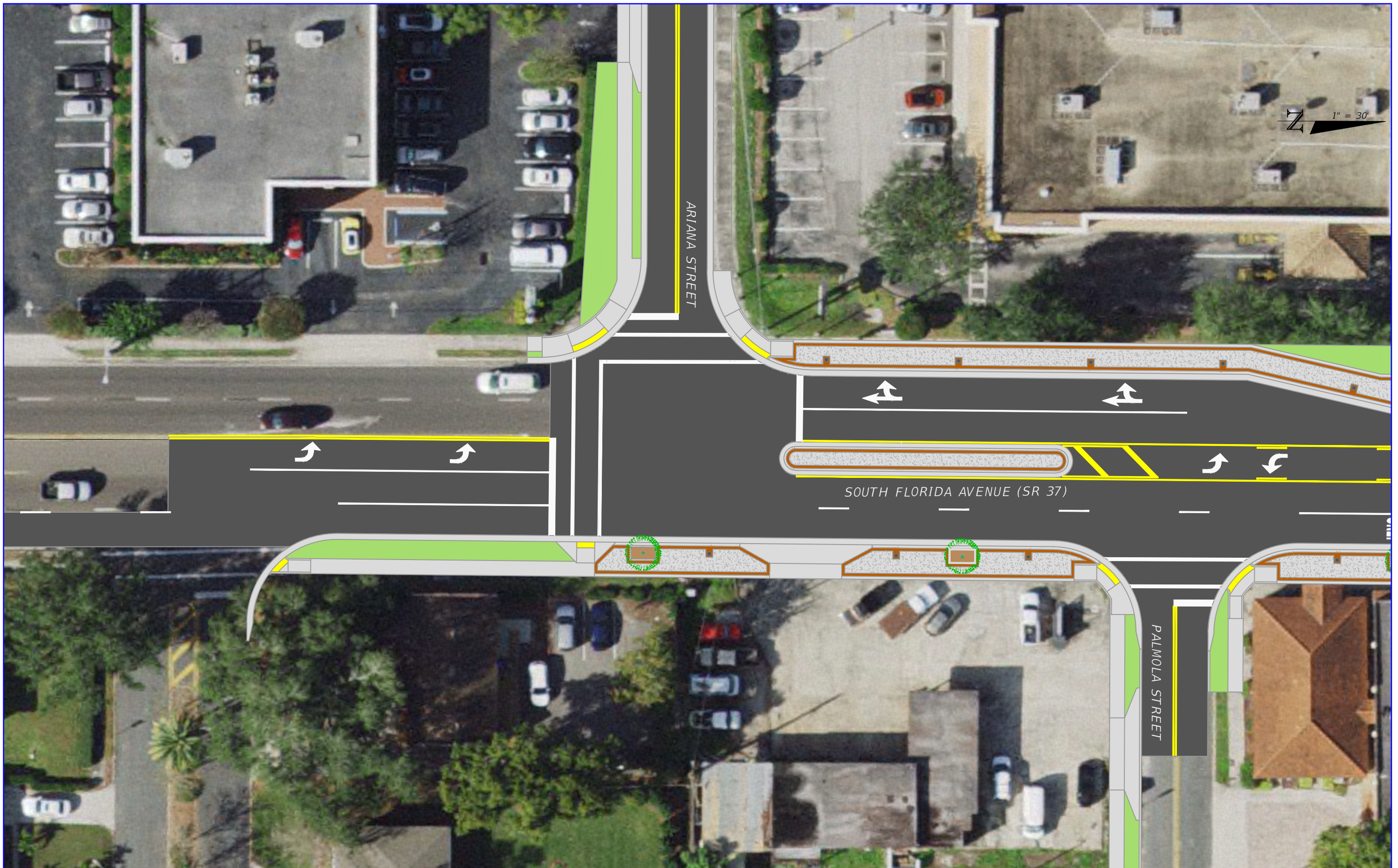
REVISIONS			
DATE	DESCRIPTION	DATE	DESCRIPTION



CITY OF LAKELAND PUBLIC WORKS		
ROAD NO.	COUNTY	FINANCIAL PROJECT ID
SR 37	POLK	444627-2

**S. FLORIDA AVE. (SR 37)
COMPLETE STREETS
TYPICAL SECTION**

SHEET NO.
2



1" = 30'

ARIANA STREET

SOUTH FLORIDA AVENUE (SR 37)

PALMOLA STREET

REVISIONS			
DATE	DESCRIPTION	DATE	DESCRIPTION



CITY OF LAKELAND PUBLIC WORKS		
ROAD NO.	COUNTY	FINANCIAL PROJECT ID
SR 37	POLK	444627-2

**S. FLORIDA AVE. (SR 37)
COMPLETE STREETS
CONCEPT PLANS**

SHEET NO.
3



REVISIONS			
DATE	DESCRIPTION	DATE	DESCRIPTION
---	---	---	---



CITY OF LAKELAND PUBLIC WORKS		
ROAD NO.	COUNTY	FINANCIAL PROJECT ID
SR 37	POLK	444627-2

**S. FLORIDA AVE. (SR 37)
COMPLETE STREETS
CONCEPT PLANS**

SHEET NO.
4



N
1" = 30'

WEST PARK STREET

EAST PARK STREET

SOUTH FLORIDA AVENUE (SR 37)

REVISIONS			
DATE	DESCRIPTION	DATE	DESCRIPTION
---	---	---	---



CITY OF LAKELAND PUBLIC WORKS		
ROAD NO.	COUNTY	FINANCIAL PROJECT ID
SR 37	POLK	444627-2

**S. FLORIDA AVE. (SR 37)
COMPLETE STREETS
CONCEPT PLANS**

SHEET NO.
5



N
1" = 30'

WEST PATTERSON STREET

SOUTH FLORIDA AVENUE (SR 37)

EAST PATTERSON STREET

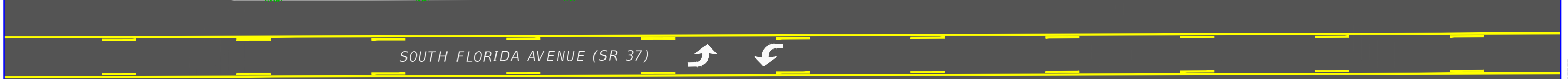
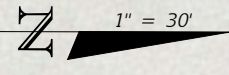
REVISIONS			
DATE	DESCRIPTION	DATE	DESCRIPTION
---	---	---	---



CITY OF LAKELAND PUBLIC WORKS		
ROAD NO.	COUNTY	FINANCIAL PROJECT ID
SR 37	POLK	444627-2

*S. FLORIDA AVE. (SR 37)
COMPLETE STREETS
CONCEPT PLANS*

SHEET NO.
6



REVISIONS			
DATE	DESCRIPTION	DATE	DESCRIPTION
---	---	---	---



CITY OF LAKELAND PUBLIC WORKS		
ROAD NO.	COUNTY	FINANCIAL PROJECT ID
SR 37	POLK	444627-2

**S. FLORIDA AVE. (SR 37)
COMPLETE STREETS
CONCEPT PLANS**

SHEET NO.
7



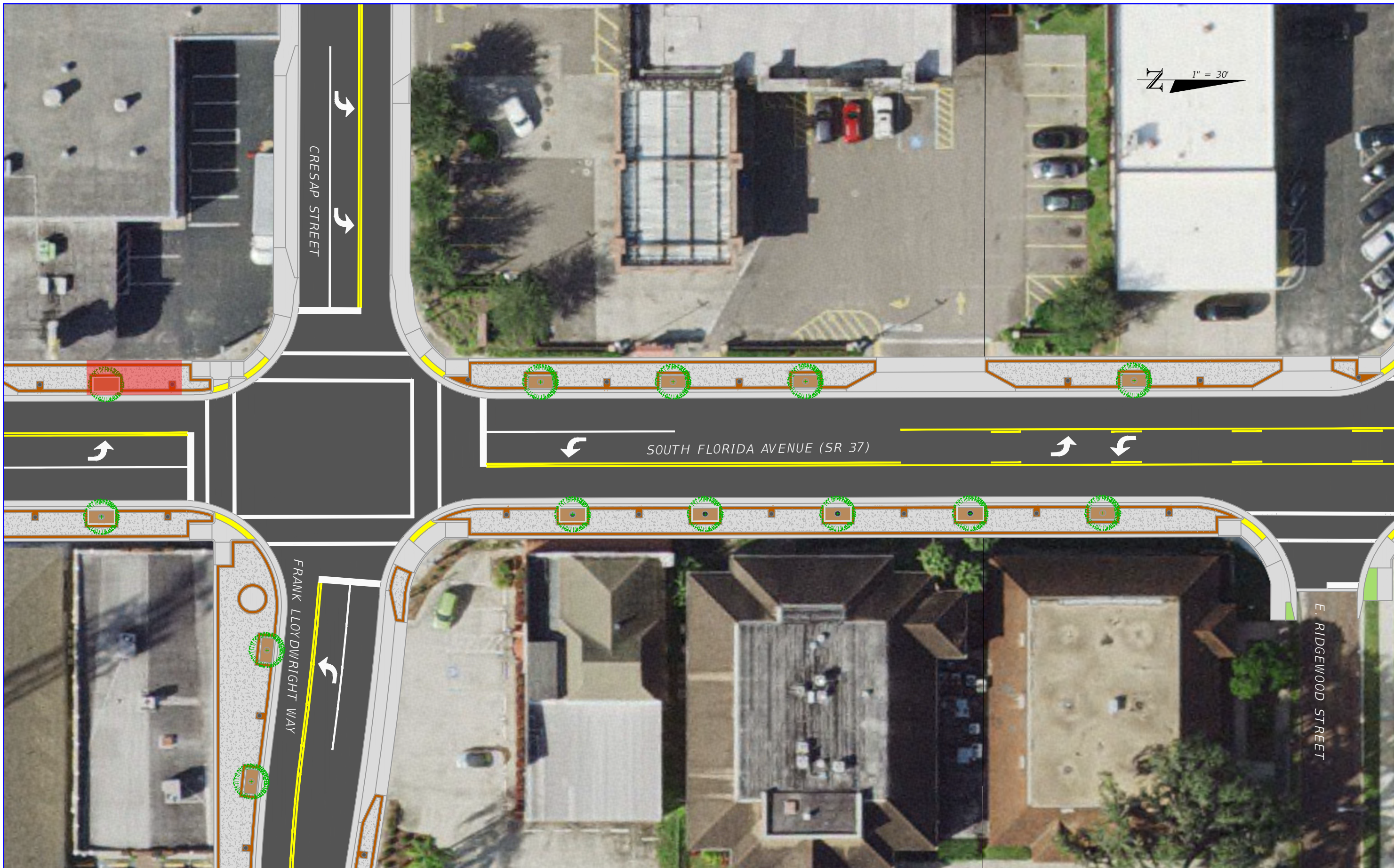
REVISIONS			
DATE	DESCRIPTION	DATE	DESCRIPTION



CITY OF LAKELAND PUBLIC WORKS		
ROAD NO.	COUNTY	FINANCIAL PROJECT ID
SR 37	POLK	444627-2

**S. FLORIDA AVE. (SR 37)
COMPLETE STREETS
CONCEPT PLANS**

SHEET NO.
8



REVISIONS			
DATE	DESCRIPTION	DATE	DESCRIPTION
---	---	---	---



CITY OF LAKELAND PUBLIC WORKS		
ROAD NO.	COUNTY	FINANCIAL PROJECT ID
SR 37	POLK	444627-2

**S. FLORIDA AVE. (SR 37)
COMPLETE STREETS
CONCEPT PLANS**

SHEET NO.
9



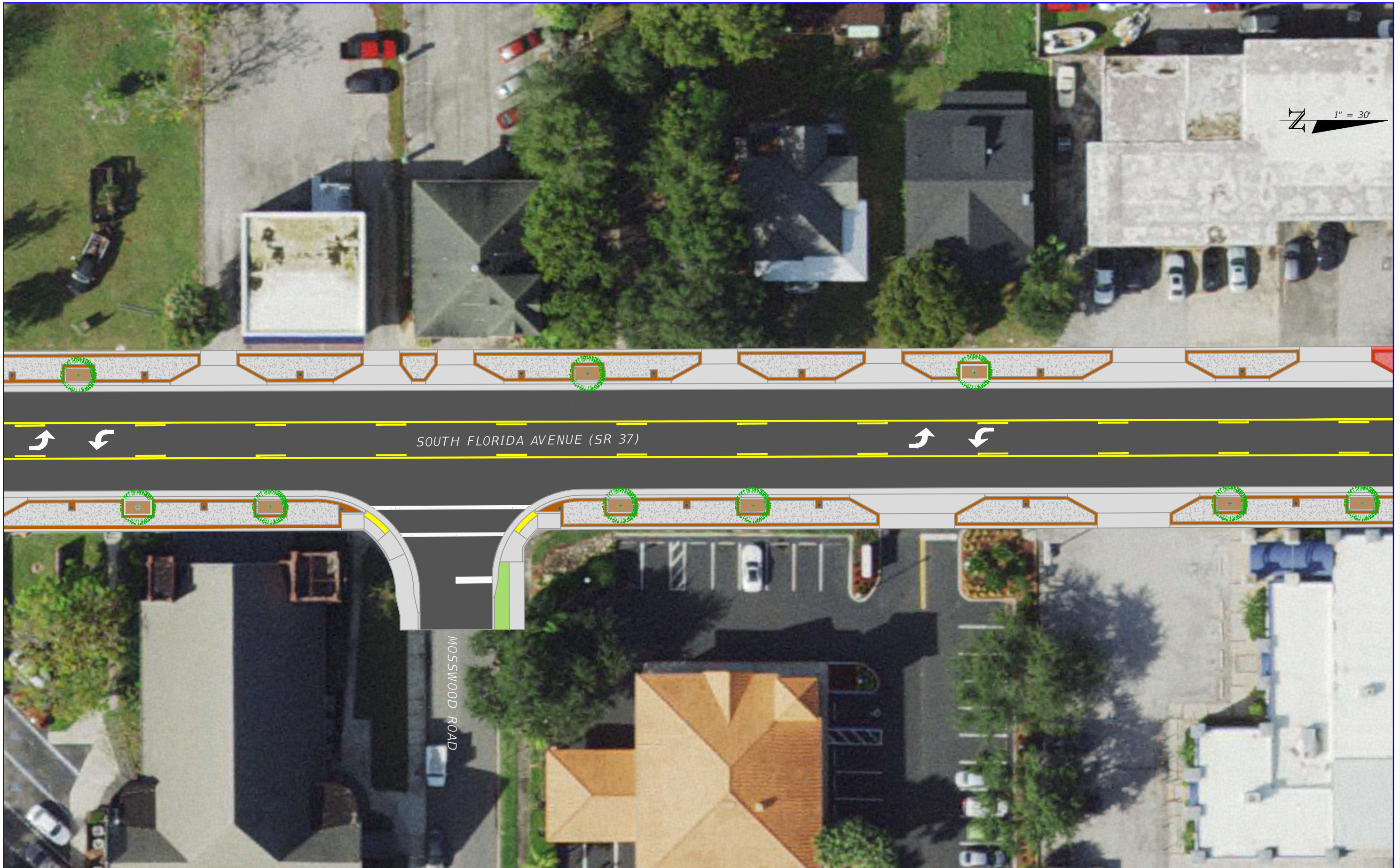
REVISIONS			
DATE	DESCRIPTION	DATE	DESCRIPTION
---	---	---	---



CITY OF LAKELAND PUBLIC WORKS		
ROAD NO.	COUNTY	FINANCIAL PROJECT ID
SR 37	POLK	444627-2

**S. FLORIDA AVE. (SR 37)
COMPLETE STREETS
CONCEPT PLANS**

SHEET NO.
10



N 1" = 30'

SOUTH FLORIDA AVENUE (SR 37)

MOSSWOOD ROAD

REVISIONS			
DATE	DESCRIPTION	DATE	DESCRIPTION



CITY OF LAKELAND PUBLIC WORKS		
ROAD NO.	COUNTY	FINANCIAL PROJECT ID
SR 37	POLK	444627-2

S. FLORIDA AVE. (SR 37)
COMPLETE STREETS
CONCEPT PLANS

SHEET NO.
11



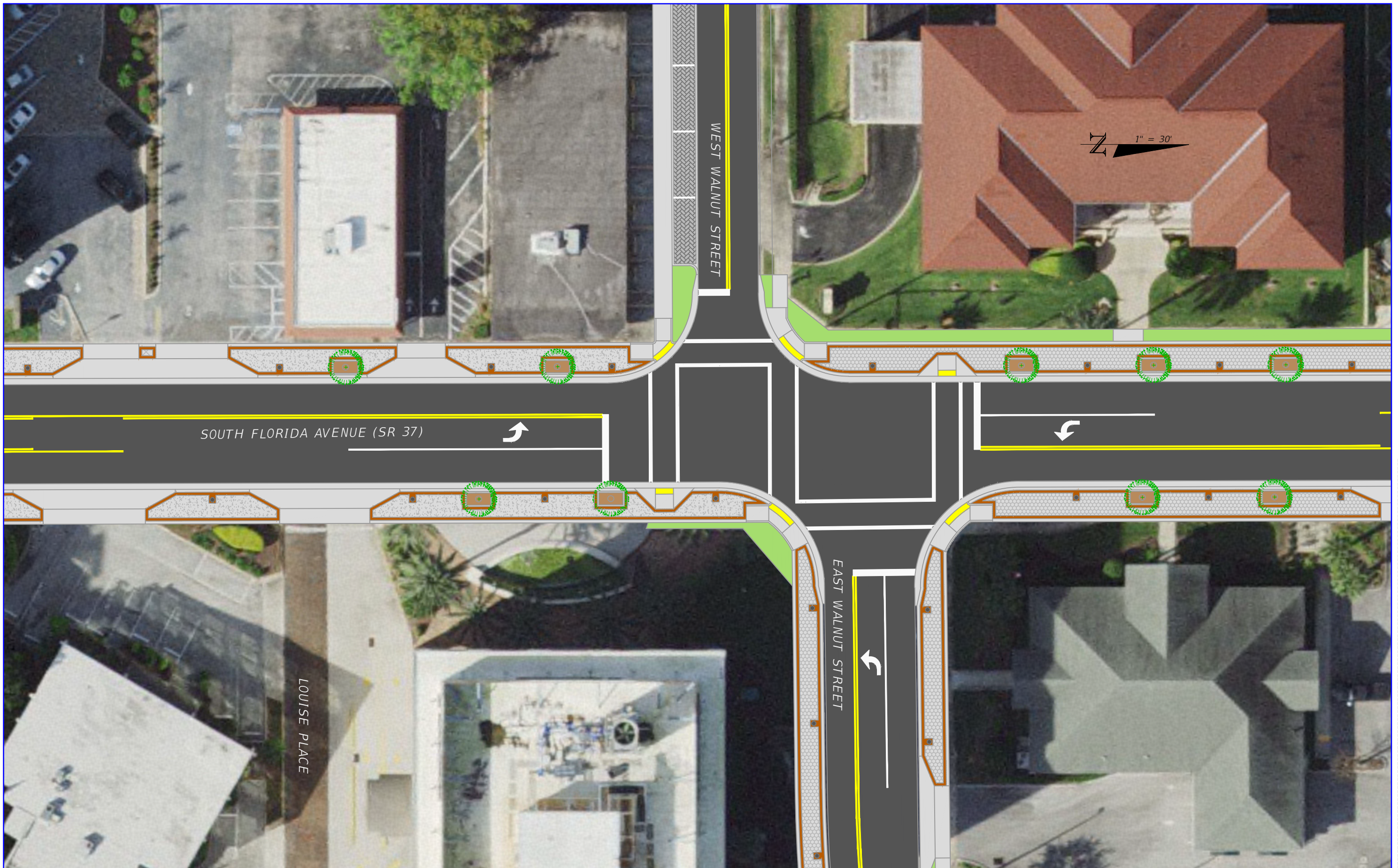
REVISIONS			
DATE	DESCRIPTION	DATE	DESCRIPTION
---	---	---	---



CITY OF LAKELAND PUBLIC WORKS		
ROAD NO.	COUNTY	FINANCIAL PROJECT ID
SR 37	POLK	444627-2

**S. FLORIDA AVE. (SR 37)
COMPLETE STREETS
CONCEPT PLANS**

SHEET NO.
12



REVISIONS			
DATE	DESCRIPTION	DATE	DESCRIPTION



CITY OF LAKELAND PUBLIC WORKS		
ROAD NO.	COUNTY	FINANCIAL PROJECT ID
SR 37	POLK	444627-2

**S. FLORIDA AVE. (SR 37)
COMPLETE STREETS
CONCEPT PLANS**

SHEET NO.
13



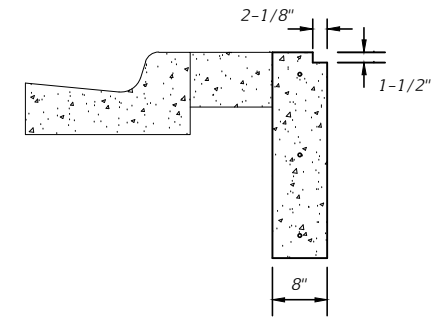
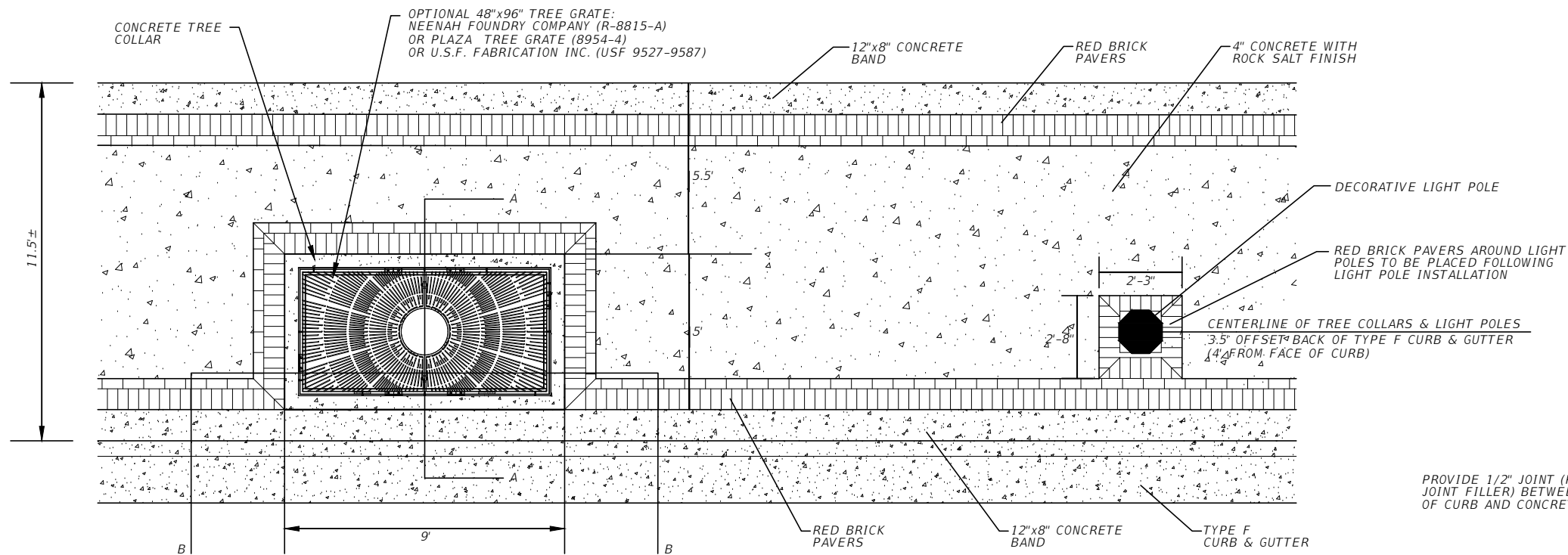
REVISIONS			
DATE	DESCRIPTION	DATE	DESCRIPTION



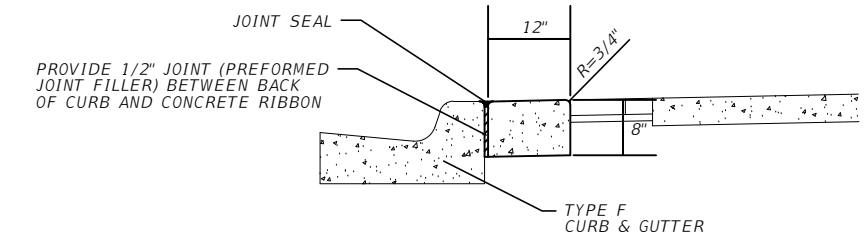
CITY OF LAKELAND PUBLIC WORKS		
ROAD NO.	COUNTY	FINANCIAL PROJECT ID
SR 37	POLK	444627-2

**S. FLORIDA AVE. (SR 37)
COMPLETE STREETS
CONCEPT PLANS**

SHEET NO.
14

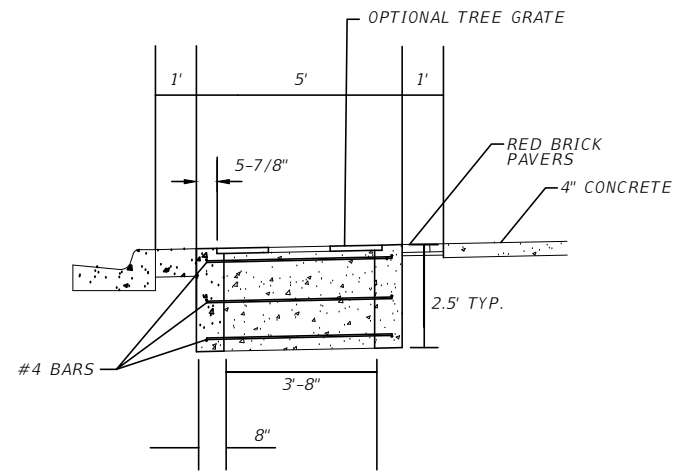


TREE GRATE BENCH DETAIL
 PROVIDE 2-1/8"x1-1/2" RECESS ALONG PERIMETER OF CONCRETE TREE COLLAR AS SHOWN FOR SEATING OF OPTIONAL TREE GRATE.

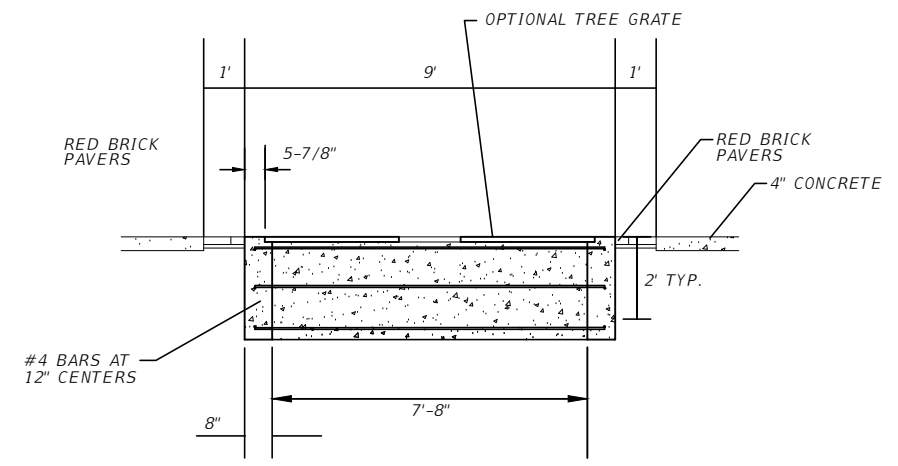


CONCRETE BAND DETAIL

SPACE CONTRACTION JOINTS AT INTERVALS OF 10 FEET EXCEPT WHERE CLOSURE REQUIRES A LESSER INTERVAL. DO NOT ALLOW ANY SECTION TO BE LESS THAN 4 FEET IN LENGTH
 PROVIDE 1/2" JOINT (PREFORMED JOINT FILLER WITH JOINT SEAL) AT ALL RADIUS POINTS OR INLETS.
 CONCRETE BAND SHALL HAVE A BROOM FINISH



TREE COLLAR SECTION A-A



TREE COLLAR SECTION B-B



REVISIONS					CITY OF LAKELAND PUBLIC WORKS			S. FLORIDA AVE. (SR 37) COMPLETE STREETS CONCEPT PLANS	SHEET NO.
DATE	DESCRIPTION	DATE	DESCRIPTION		ROAD NO.	COUNTY	FINANCIAL PROJECT ID		
---	---	---	---		SR 37	POLK	444627-2		15